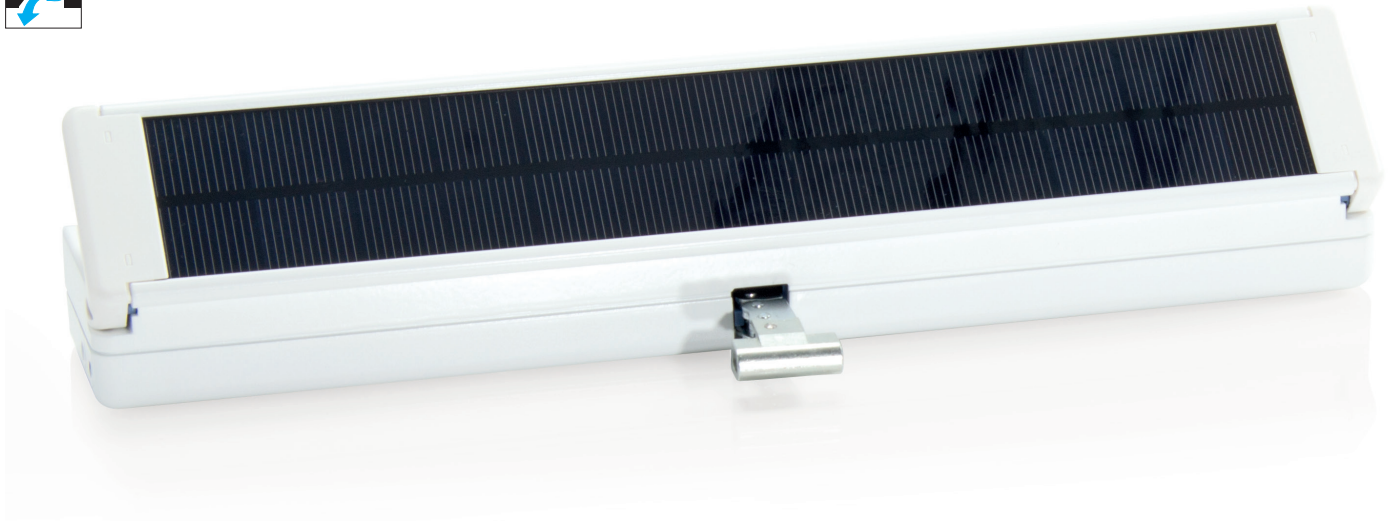


# VCD-S drive



## Performance features

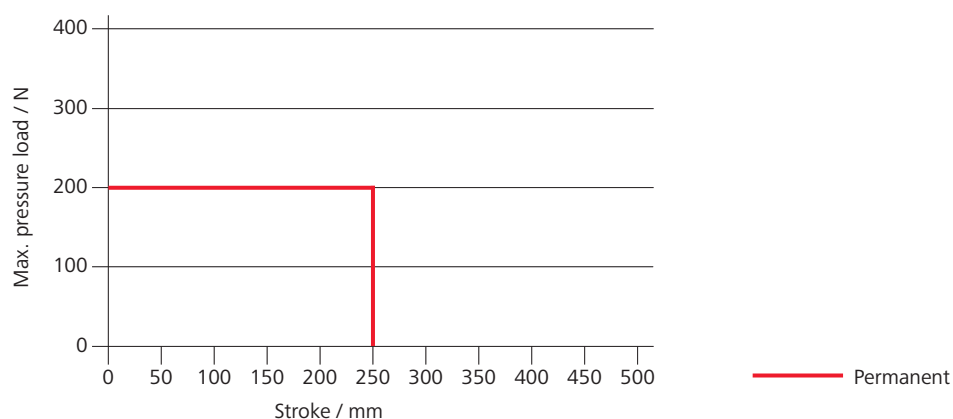
- » For opening and closing roof windows and conservatories for which a sufficient drive charge is possible using direct sunlight
- » Solar-powered - no power supply or cable routing required
- » Energy-saving - integrated automatic 10 min. ventilation
- » Convenient - Control for half or full ventilation opening
- » Flexible, can control up to 10 drives with one remote control
- » Easy and quick installation for new constructions, retrofitting and DIY
- » "TMS+" tandem safety function for operating 2 drives on one sash
- » Ability to be controlled wirelessly via remote with secure 128 bit AES wireless encryption to protect against external control
- » High level of security against external control – 32 bit address code and transmitting code change at each button press (hopping code)

## Accessories

Radio remote control



## Pressure load diagram

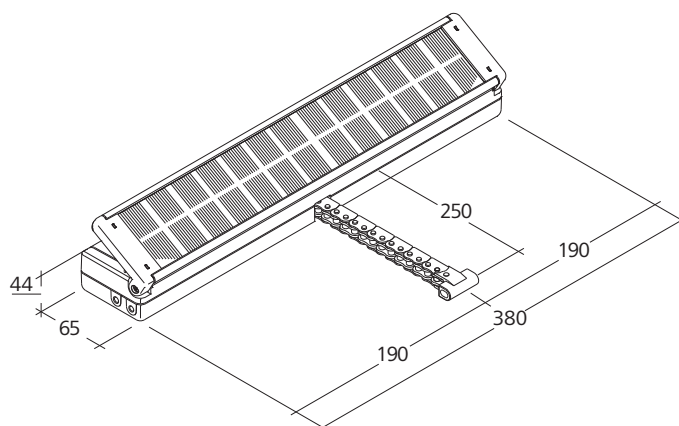


## Technical data

|                               |                             |
|-------------------------------|-----------------------------|
| Supply                        | Monocrystalline solar panel |
| Battery pack                  | 2x NiMH 4.8 V / 2000 mAh    |
| Duty cycle                    | 30 %                        |
| Force of pressure             | 200 N                       |
| Tensile force                 | 150 N                       |
| Nominal locking force         | 1500 N                      |
| Service life                  | > 10000 double strokes      |
| OPEN running speed            | 5 mm/s                      |
| CLOSED running speed          | 5 mm/s                      |
| Type of protection            | IP 50                       |
| Emission sound pressure level | LpA ≤ 70 dB(A)              |
| Temperature range             | +5 °C ... +60 °C            |
| Radio frequency               | 868.3 MHz / FSK             |
| Transmitter range             | Max. 100 m free field       |
| Housing                       | Die-cast zinc               |
| W x H x D                     | 380 x 44 x 65 mm            |
| Weight                        | 2.30 kg                     |

## Dimensions

All specifications in mm



## Design

| Type                      | Art. No.  | Stroke | Colour              |
|---------------------------|-----------|--------|---------------------|
| VCD-S 200/250-RC-TMS (SR) | 25.033.11 | 250 mm | Silver (~ RAL 9006) |
| VCD-S 200/250-RC-TMS (BK) | 25.033.16 | 250 mm | Black (~ RAL 9005)  |
| VCD-S 200/250-RC-TMS (WH) | 25.033.06 | 250 mm | White (~ RAL 9016)  |

Brackets are not included and have to be ordered separately.