

VCD-S Set drive

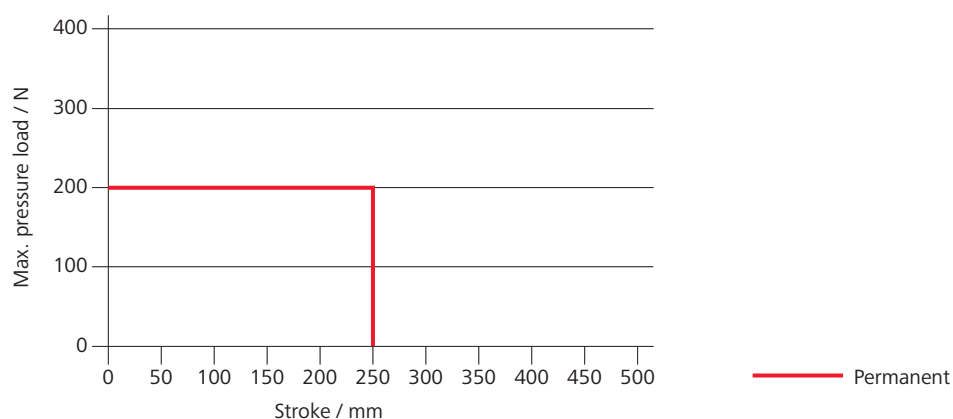


Including brackets + remote control

Performance features

- » For opening and closing roof windows and conservatories for which a sufficient drive charge is possible using direct sunlight
- » Solar-powered - no power supply or cable routing required
- » Energy-saving - integrated automatic 10 min. ventilation
- » Convenient - Control for half or full ventilation opening
- » Flexible, can control up to 10 drives with one remote control
- » Easy and quick installation for new constructions, retrofitting and DIY
- » "TMS+" tandem safety function for operating 2 drives on one sash
- » Ability to be controlled wirelessly via remote with secure 128 bit AES wireless encryption to protect against external control
- » High level of security against external control – 32 bit address code and transmitting code change at each button press (hopping code)

Pressure load diagram

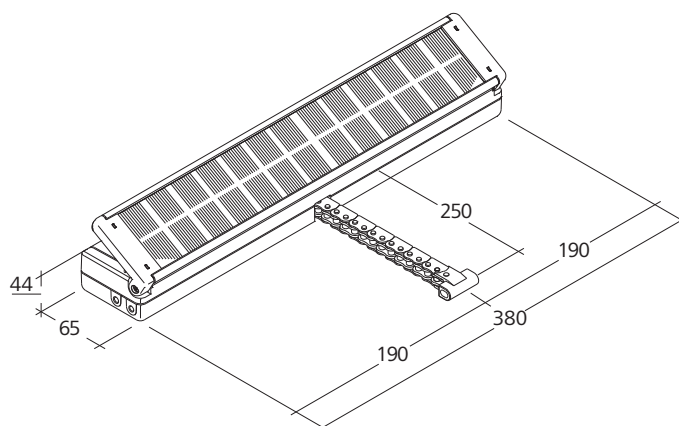


Technical data

Supply	Monocrystalline solar panel
Battery pack	2x NiMH 4.8 V / 2000 mAh
Duty cycle	30 %
Force of pressure	200 N
Tensile force	150 N
Nominal locking force	1500 N
Service life	> 10000 double strokes
OPEN running speed	5 mm/s
CLOSED running speed	5 mm/s
Type of protection	IP 50
Emission sound pressure level	LpA ≤ 70 dB(A)
Temperature range	+5 °C ... +60 °C
Radio frequency	868.3 MHz / FSK
Transmitter range	Max. 100 m free field
Housing	Die-cast zinc
W x H x D	380 x 44 x 65 mm
Weight	2.70 kg

Dimensions

All specifications in mm



Design

Type	Art. No.	Stroke	Colour
VCD-S Starter-Set (SR)	25.030.10	250 mm	Silver (~ RAL 9006)
VCD-S Starter-Set (BK)	25.030.15	250 mm	Black (~ RAL 9005)
VCD-S Starter-Set (WH)	25.030.05	250 mm	White (~ RAL 9016)